



2 cm Flak 30

Flugzeugabwehrkanone

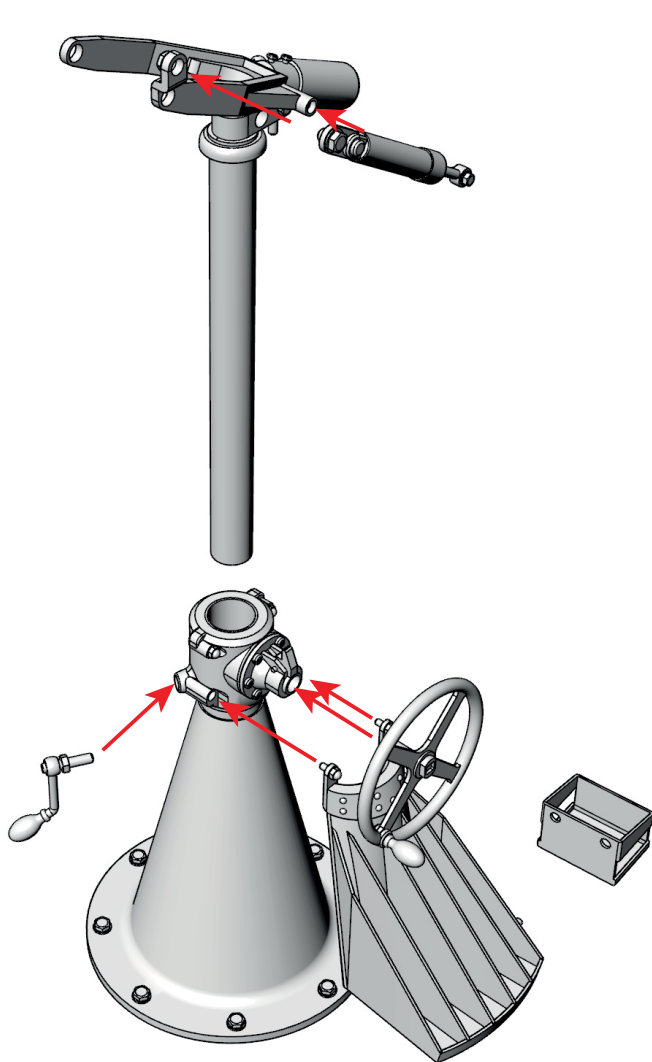
Field version (HDM35319)

U-boot Version (HDM35320)

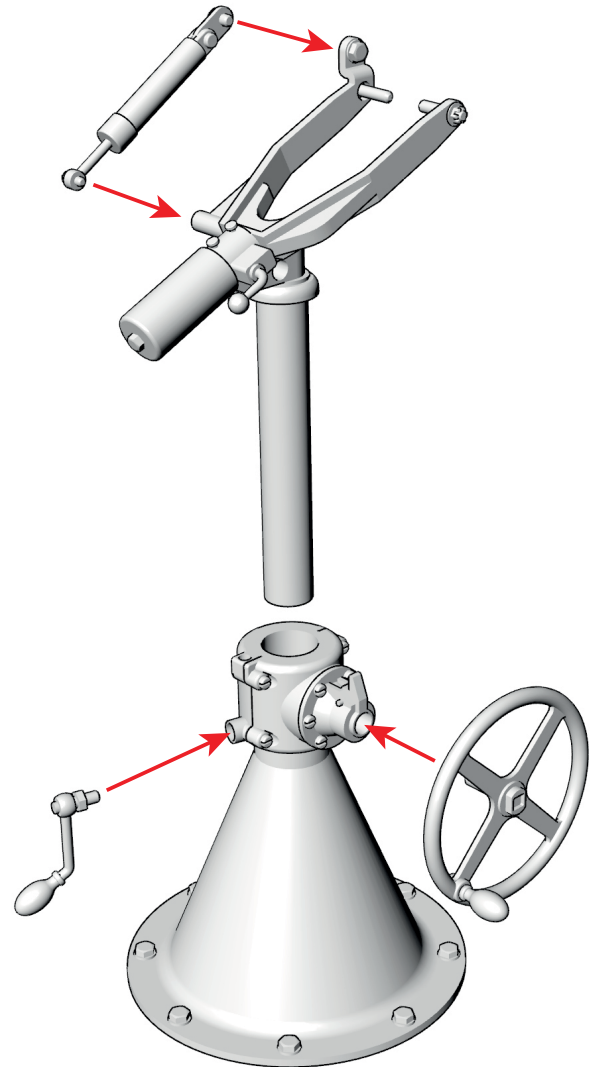
HD Models
Via Filippo Nicolai, 24
00136 - Roma

+39 06 39736835
infohdmodels.it
www.hdmodels.it

1/35

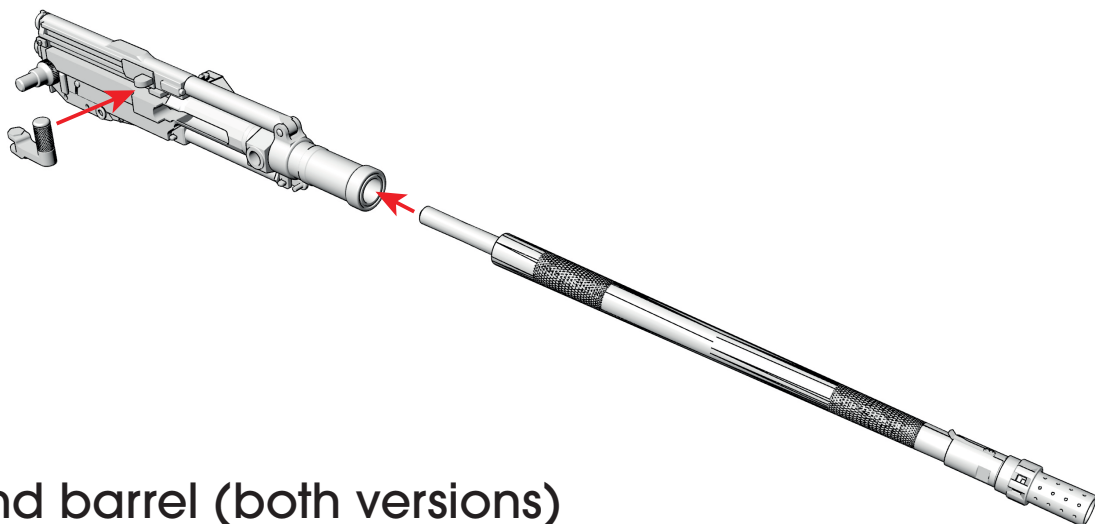
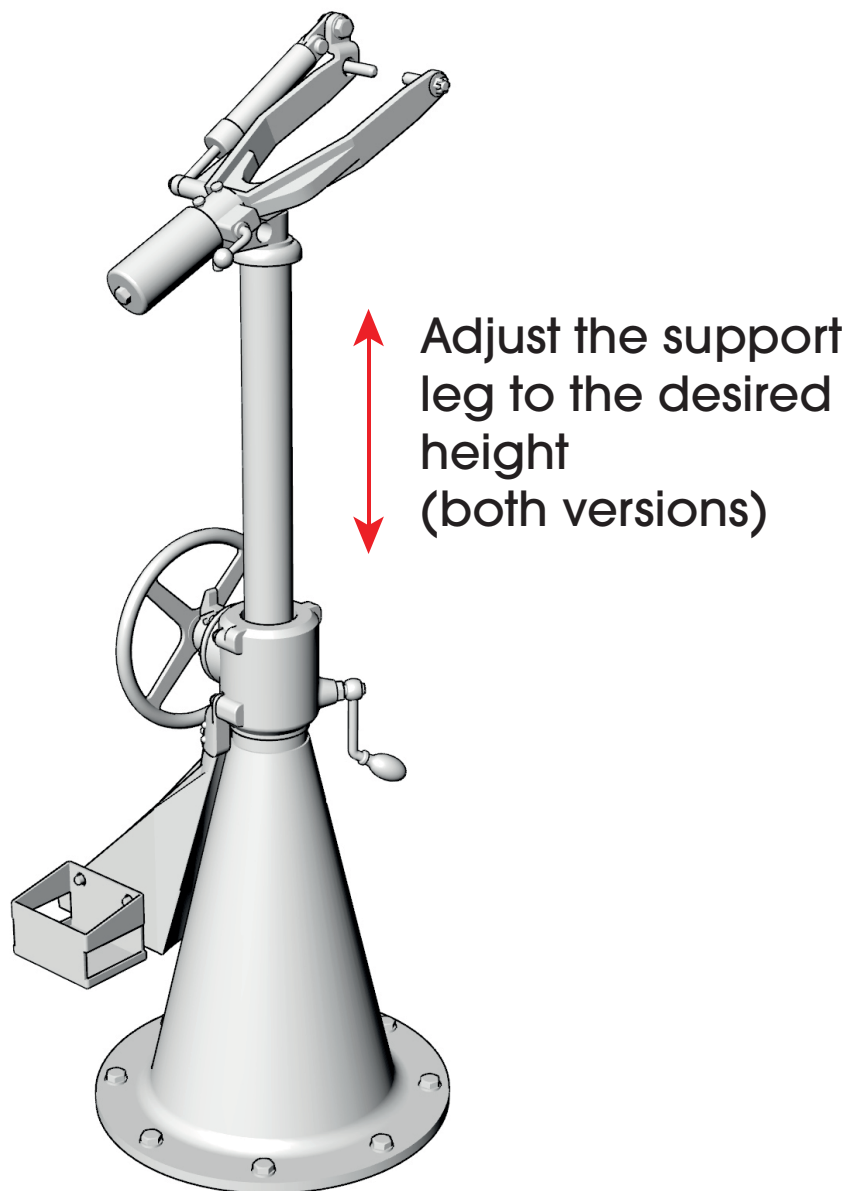


Field Version Base



U-boot Version Base

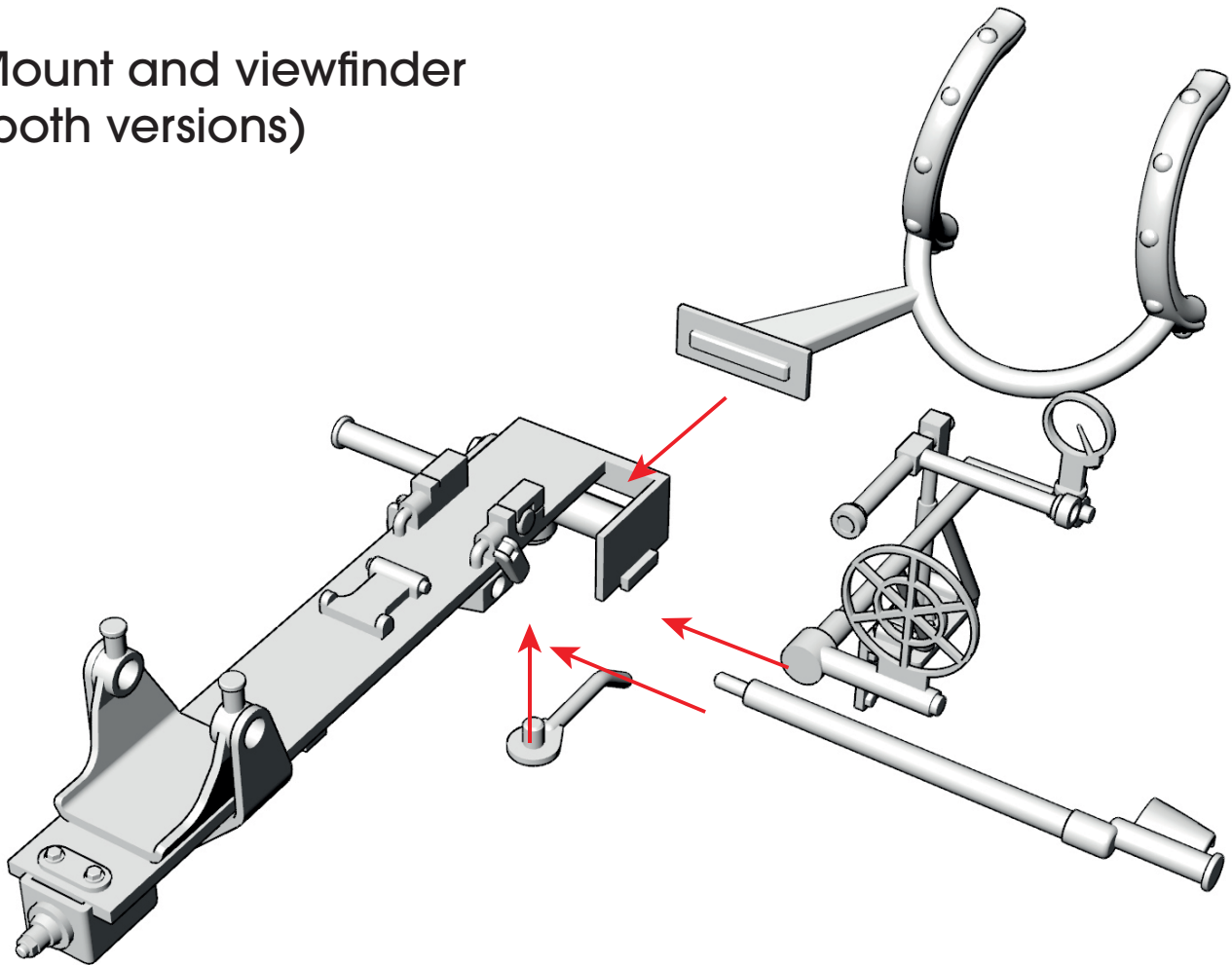
2 cm Flak 30 Instructions



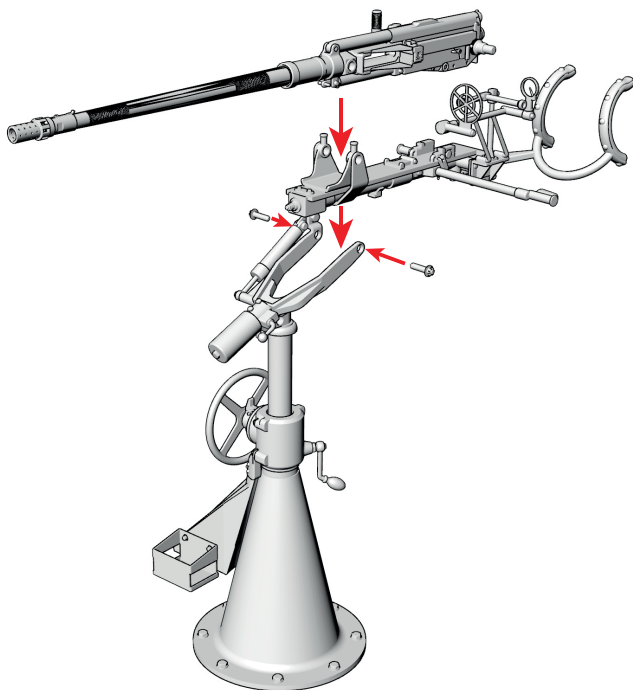
Mount and barrel (both versions)

2 cm Flak 30 Instructions

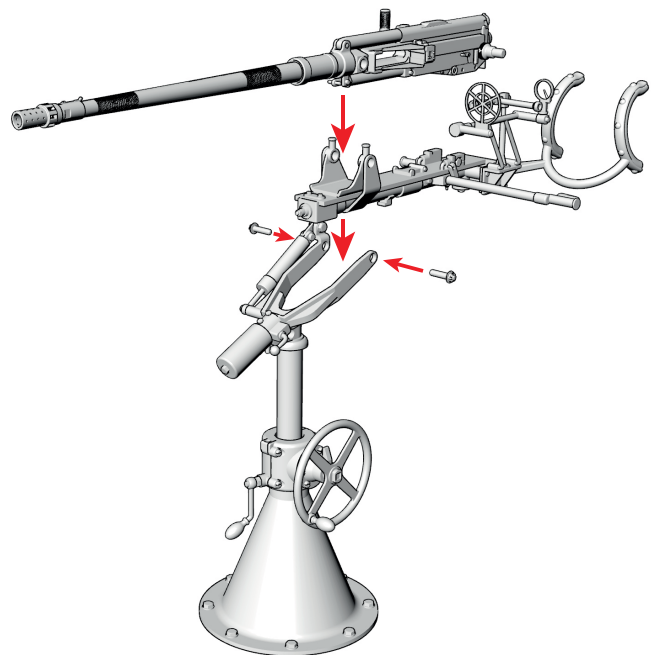
Mount and viewfinder (both versions)



Assembly Mount, Bracket, and Base



Field Version

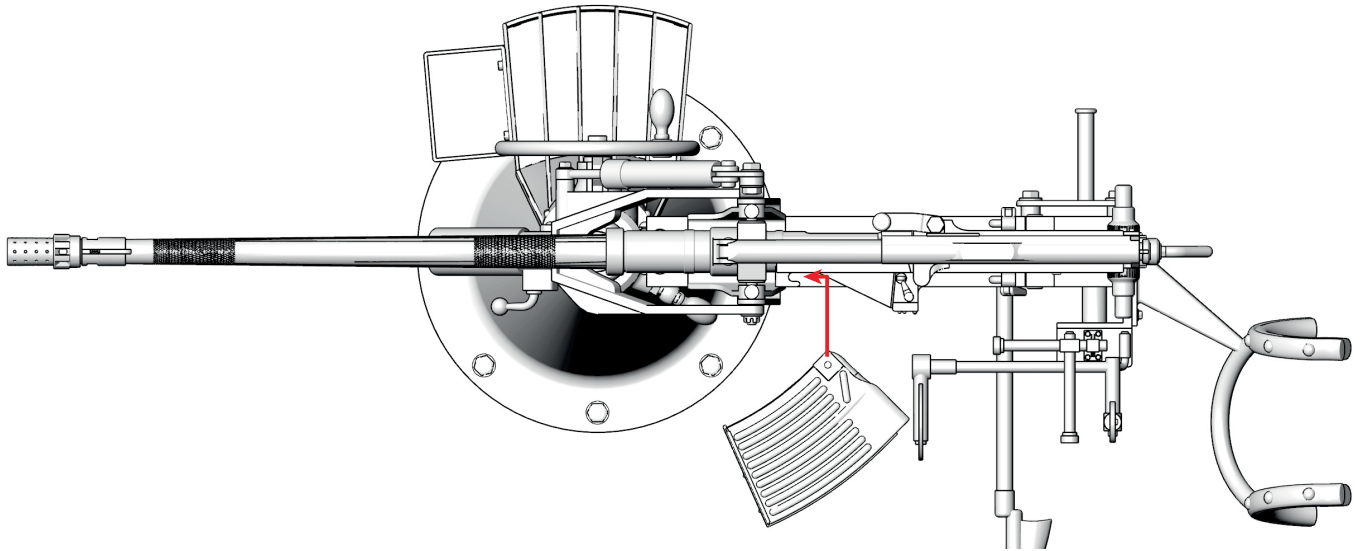


U-boot Version

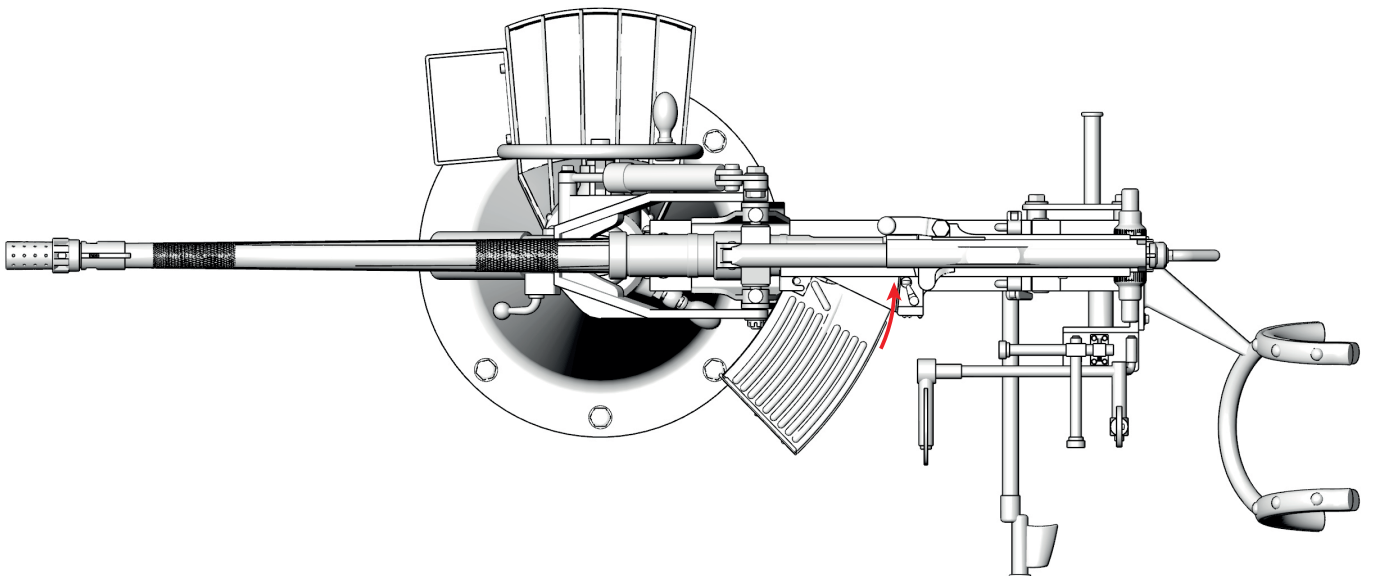
2 cm Flak 30 Instructions

Magazine Assembly (both versions)

Insert the magazine at a slight angle, making sure the small pins fit into the guide

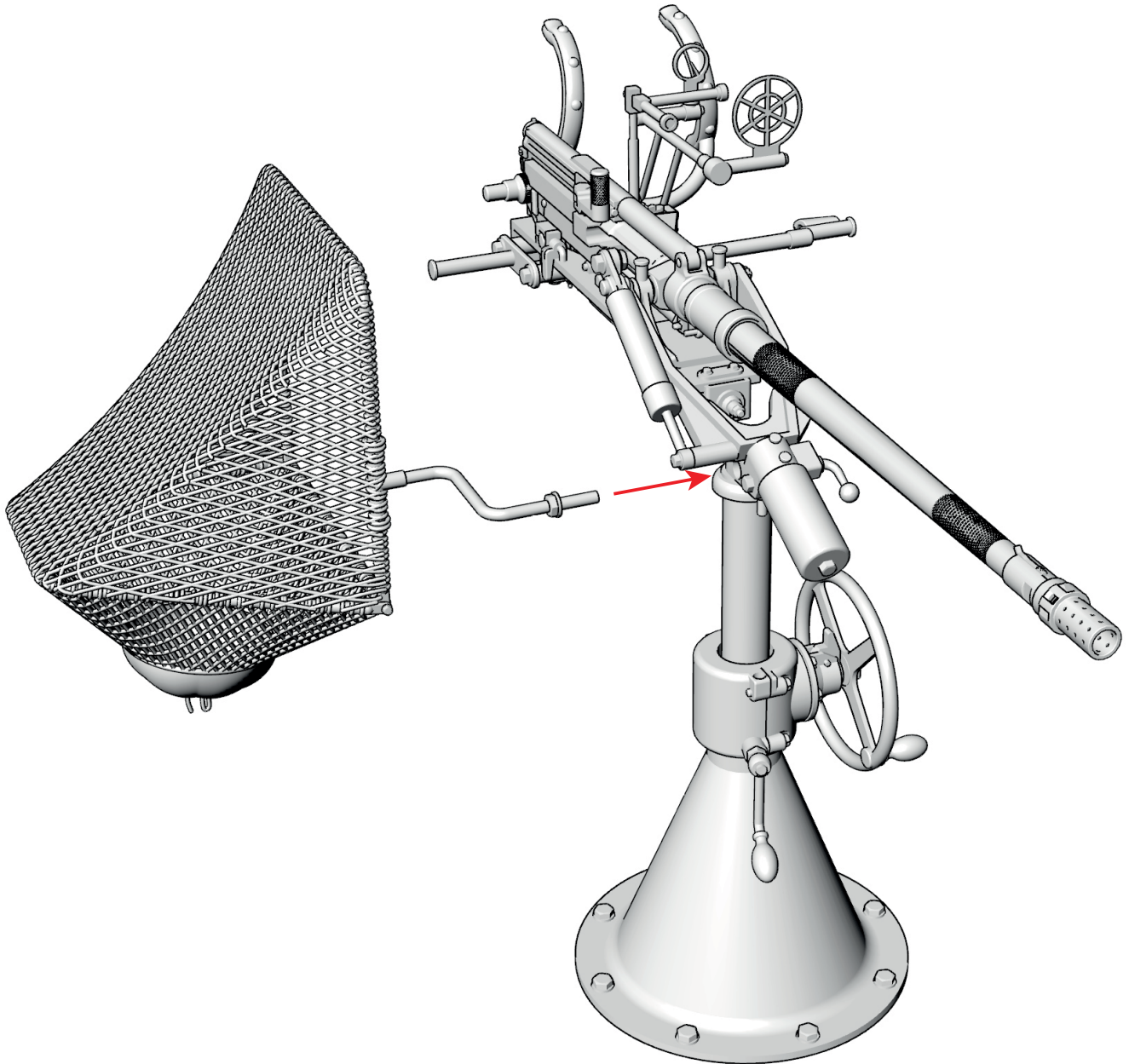


Rotate the magazine until it clicks into place, using the front latch as a pivot



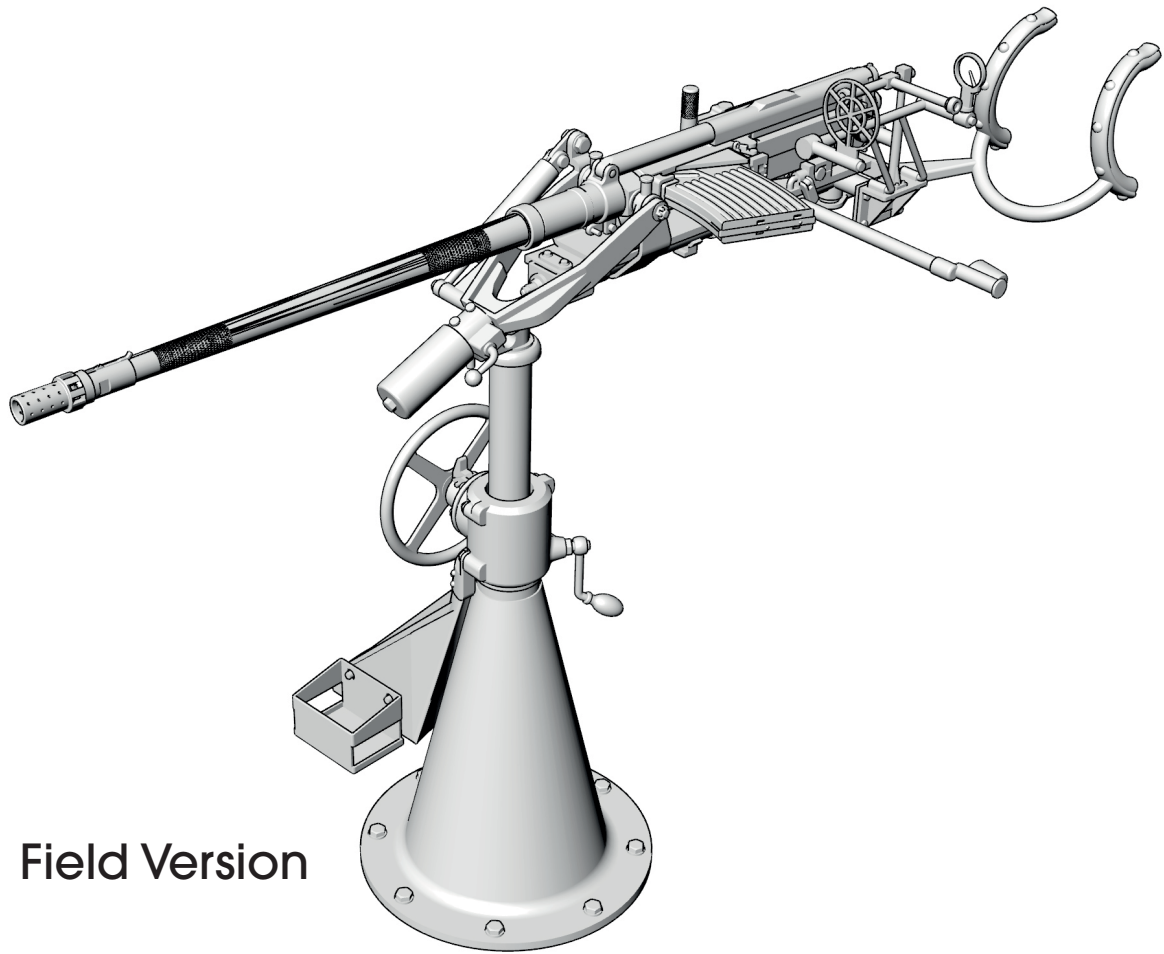
2 cm Flak 30 Instructions

Installation of the spent cartridge collection net for the U-boot version

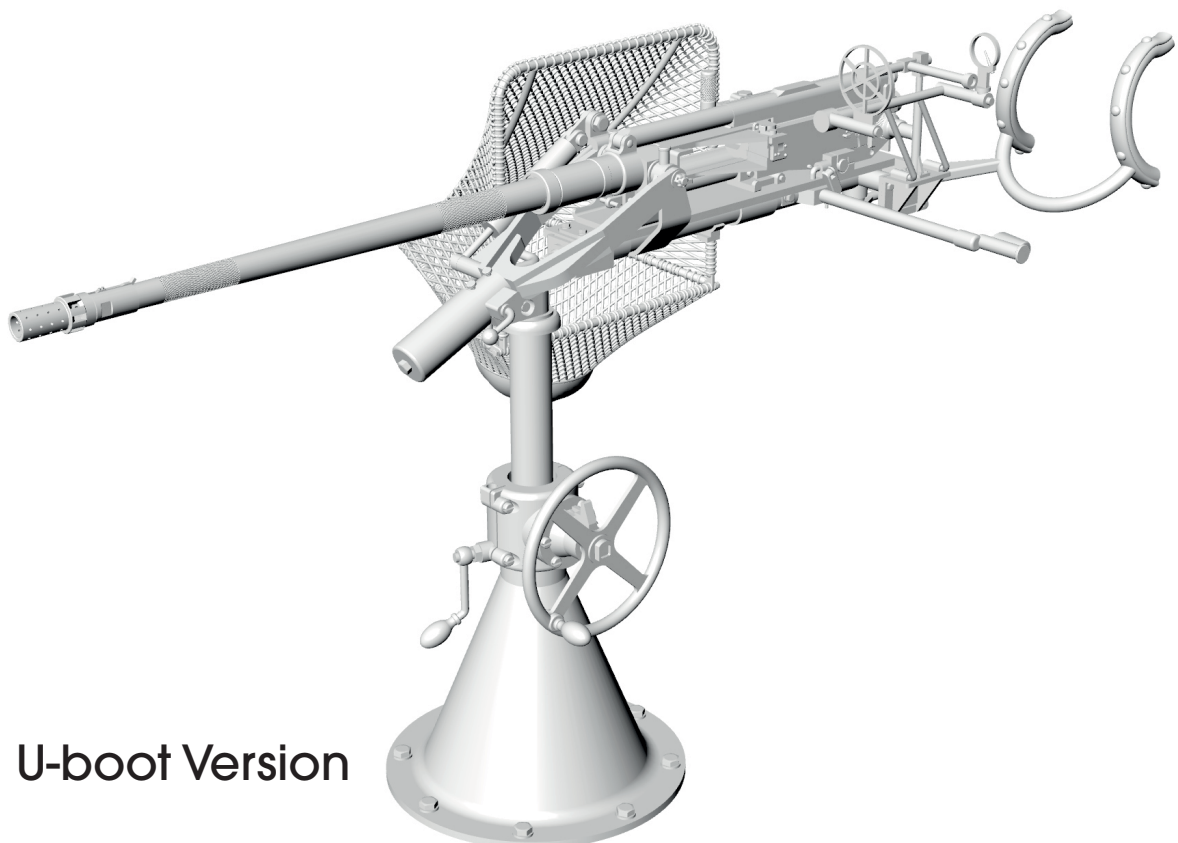


We recommend enlarging all the holes where the pins of the parts to be assembled will be inserted using a mini drill and drill bits of the appropriate thickness. During the curing process, resin may remain in the holes and cause them to shrink.

2 cm Flak 30 Instructions



Field Version



U-boot Version