

Military Loader HDM35111

HD Models
Via Filippo Nicolai 24
00136 Roma—Italy

+39 06 39736835
info@hdmodels.it
www.hdmodels.it

1/35



Resin scale model. This is not a toy. Kit is not recommended for children under 14 years of age.

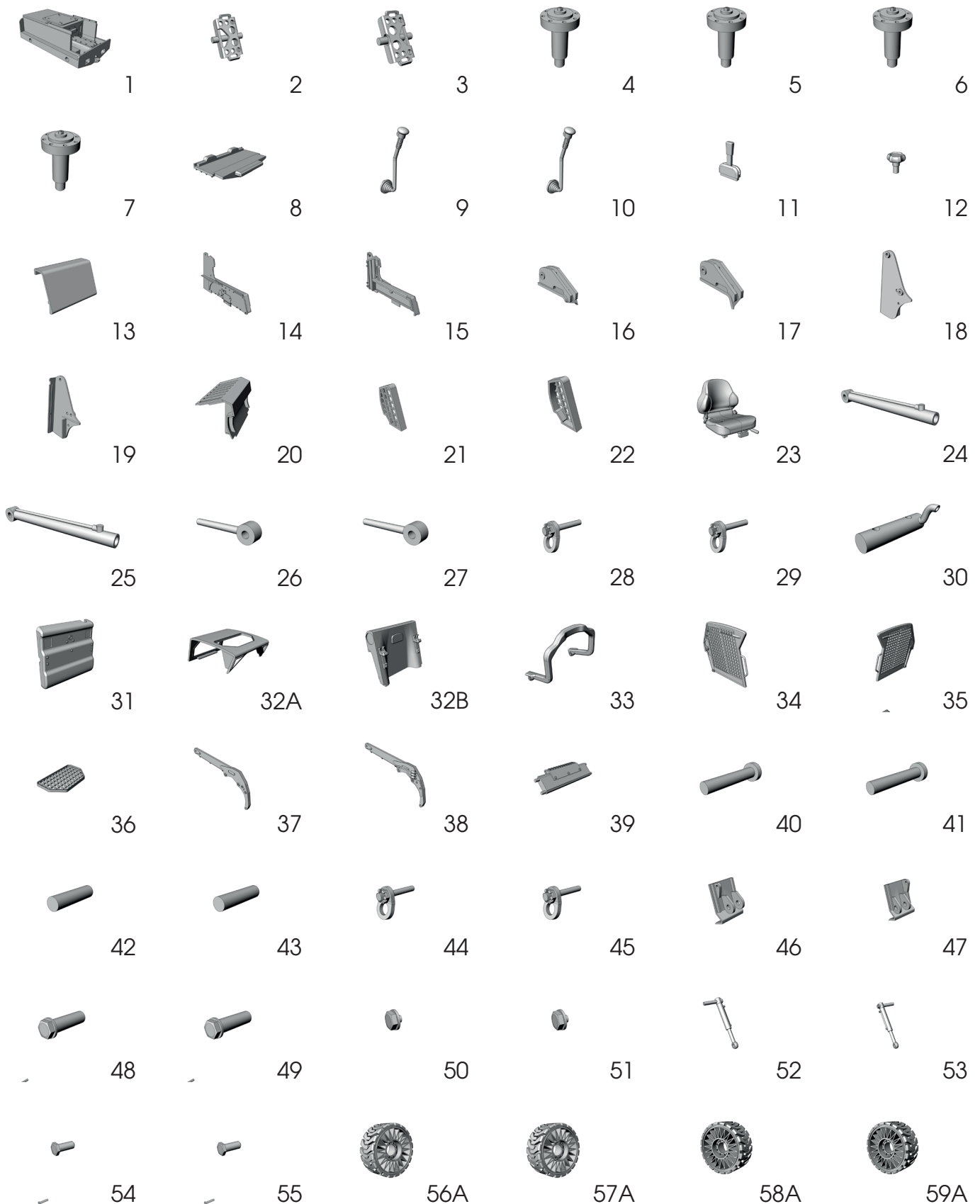
The kit contains resin parts and can only be used by experienced modelers. The kit needs assembly and painting and comes in separate pieces.

Applying tools and glue suitable for mounting resin parts.

Epoxy or cyanoacrylate is recommended. Working in ventilated spaces.

Beware the kit contains very small pieces that could be swallowed by children.

Part list (tot. 69 pcs)





61



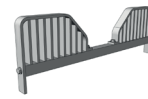
62



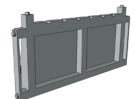
63



64



65



66



67

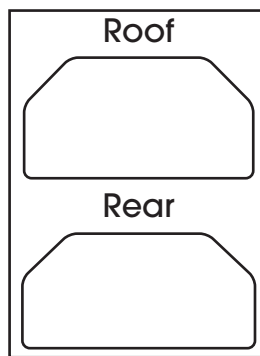
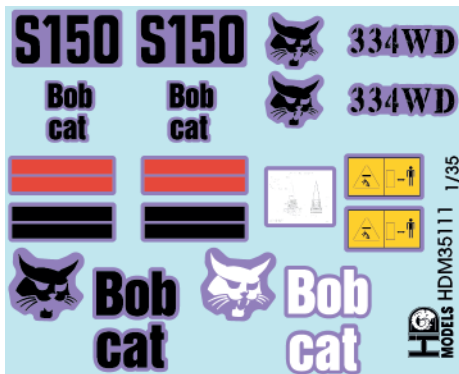


68



69

Decals



For optimum mounting and accurate cutting of supports we recommend prod. HDMU001, our steel cut tweezer



Step by step

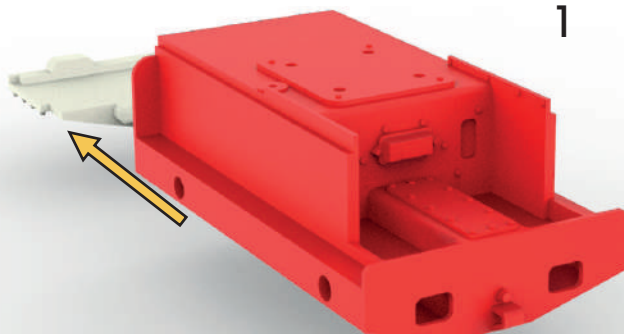
Step 1

8

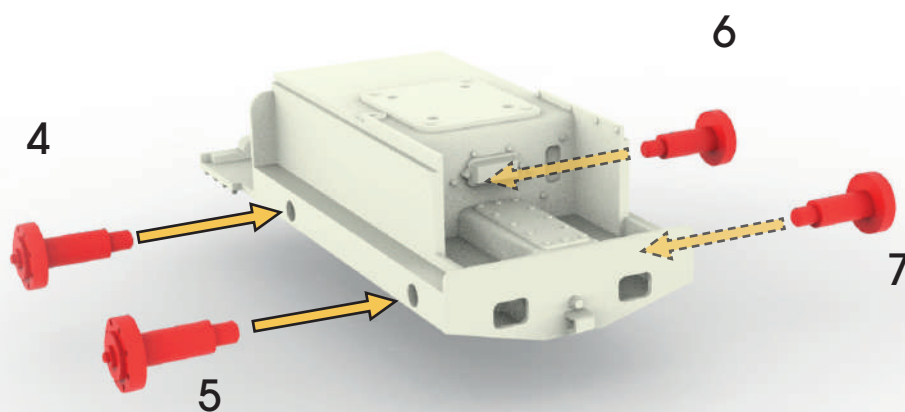


Step 2

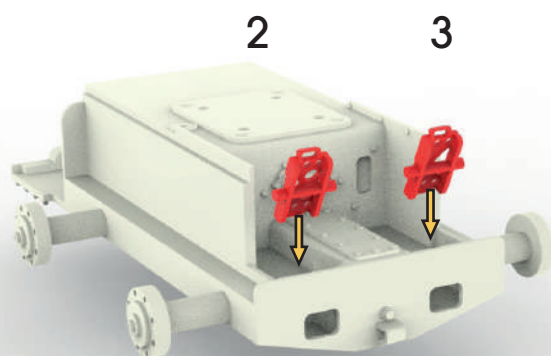
1



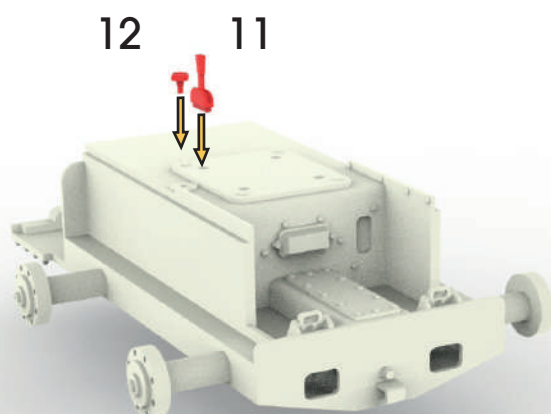
Step 3



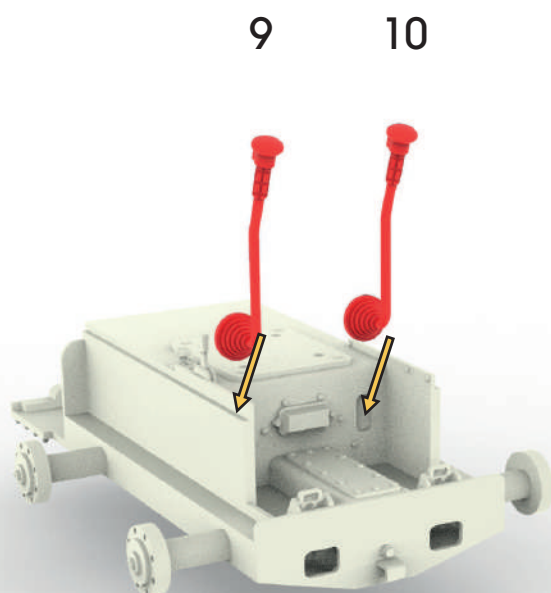
Step 4



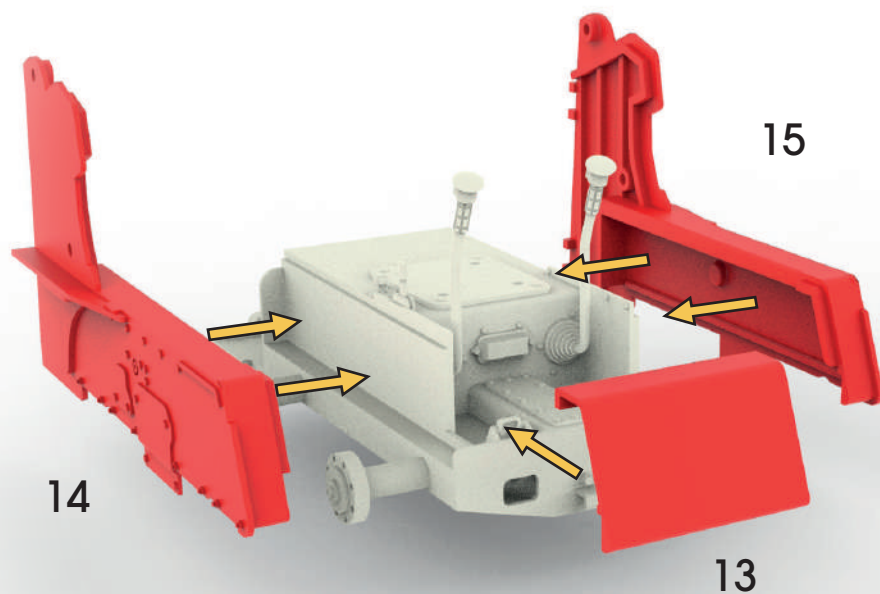
Step 5



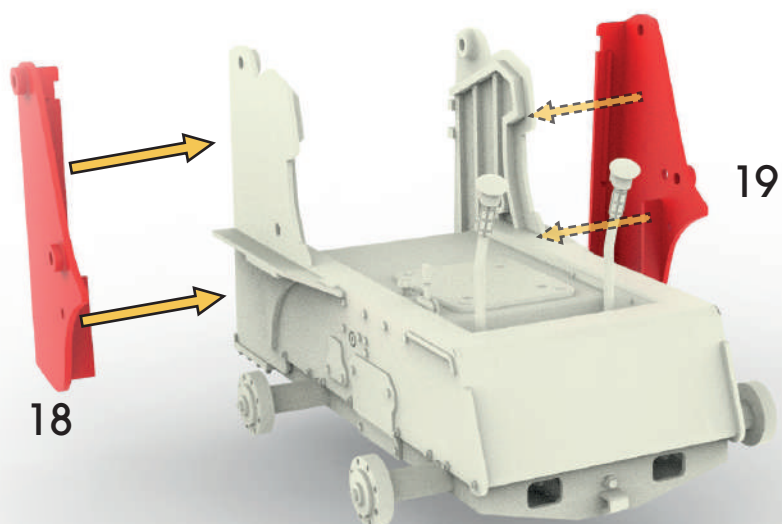
Step 6



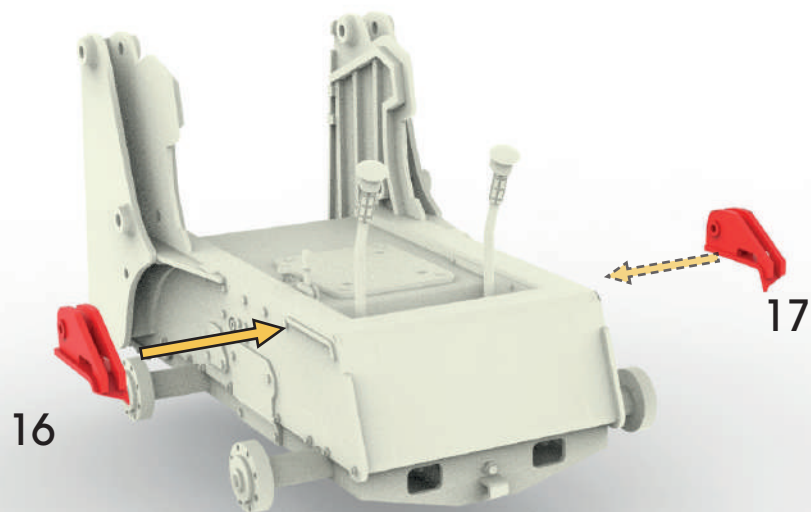
Step 7



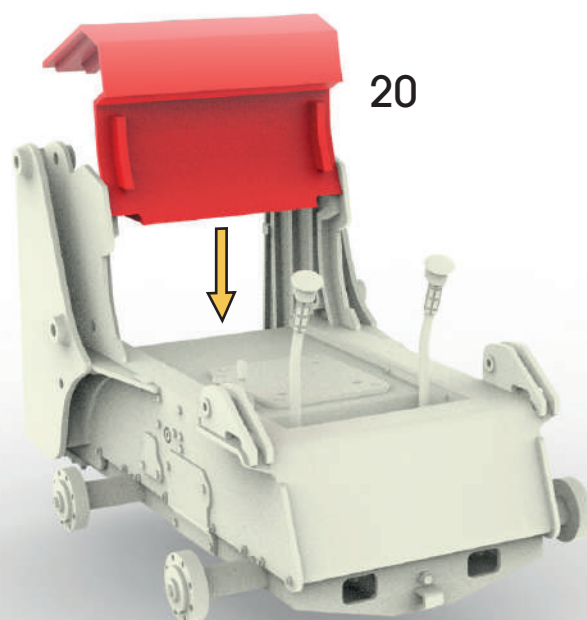
Step 8



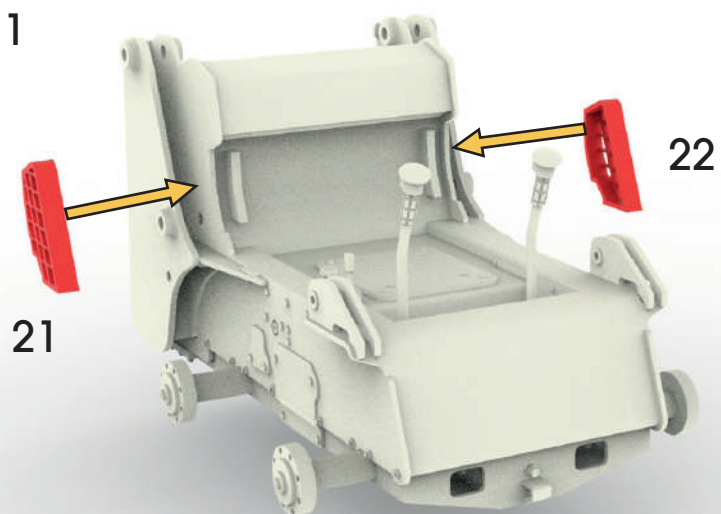
Step 9



Step 10



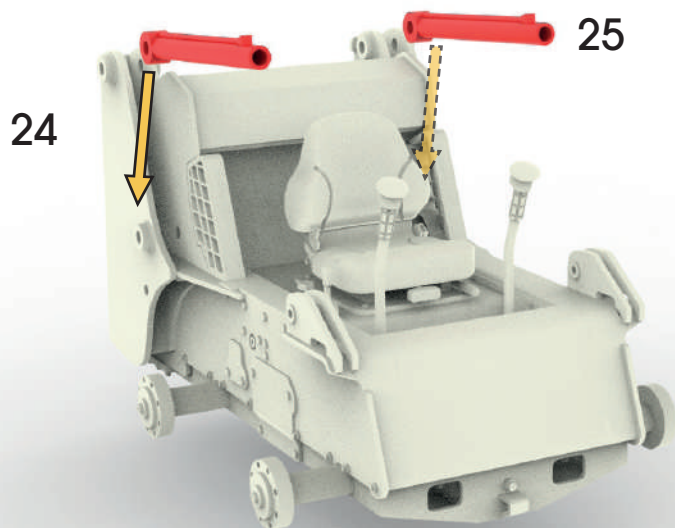
Step 11



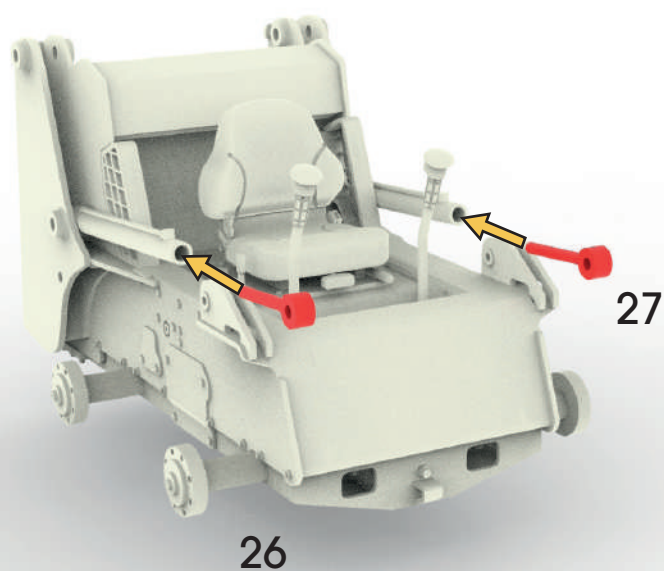
Step 12



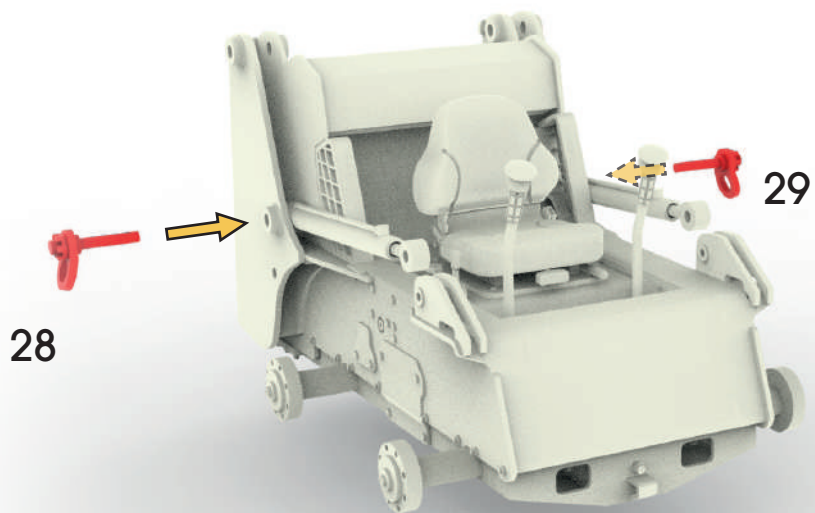
Step 13



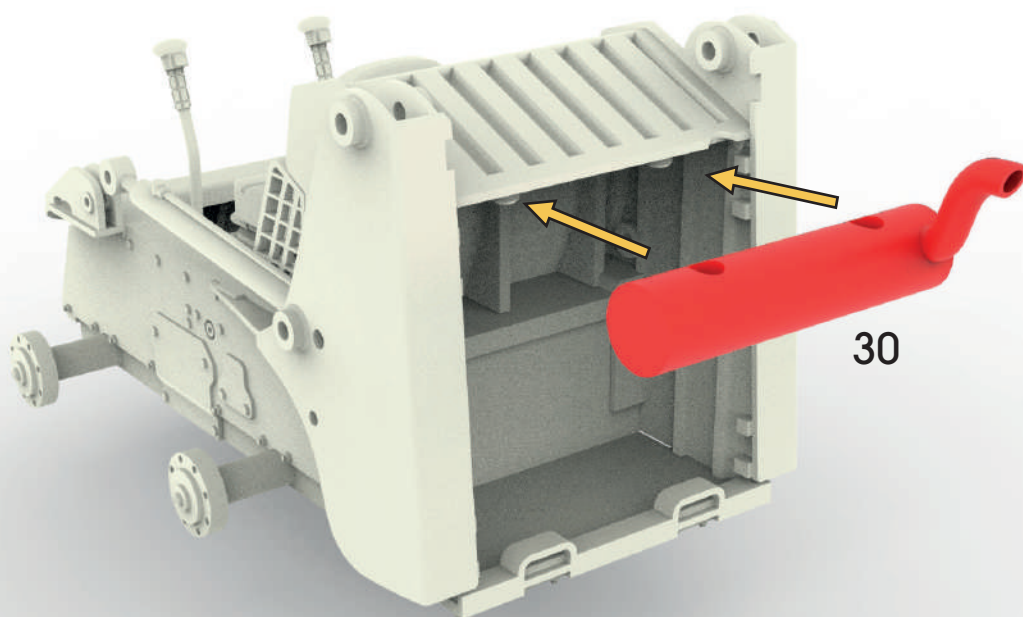
Step 14



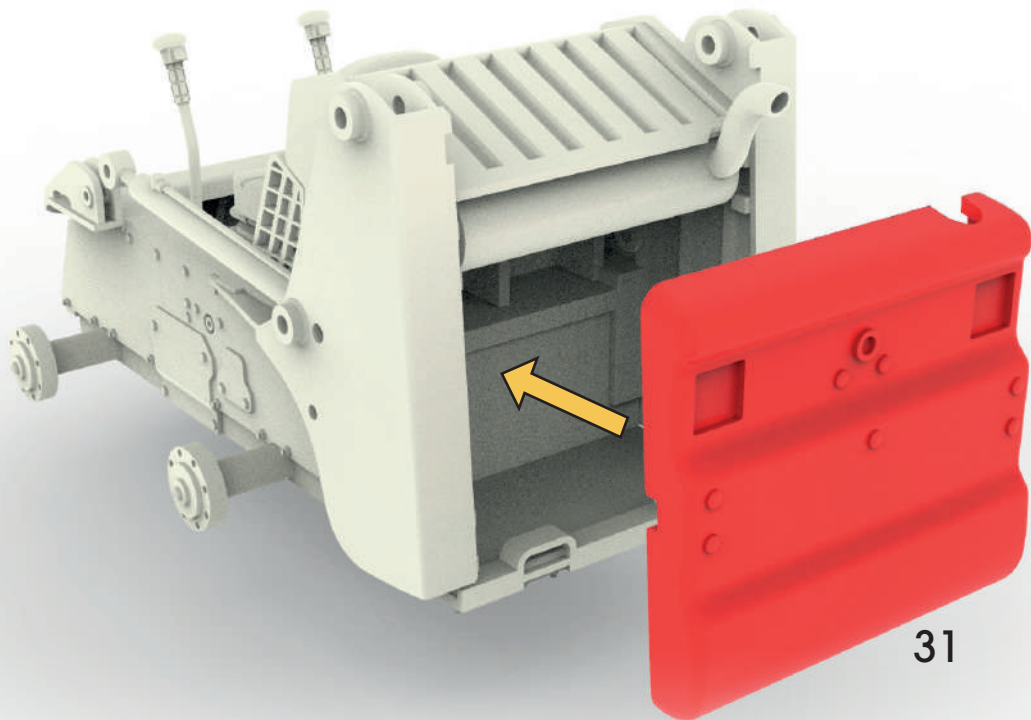
Step 15



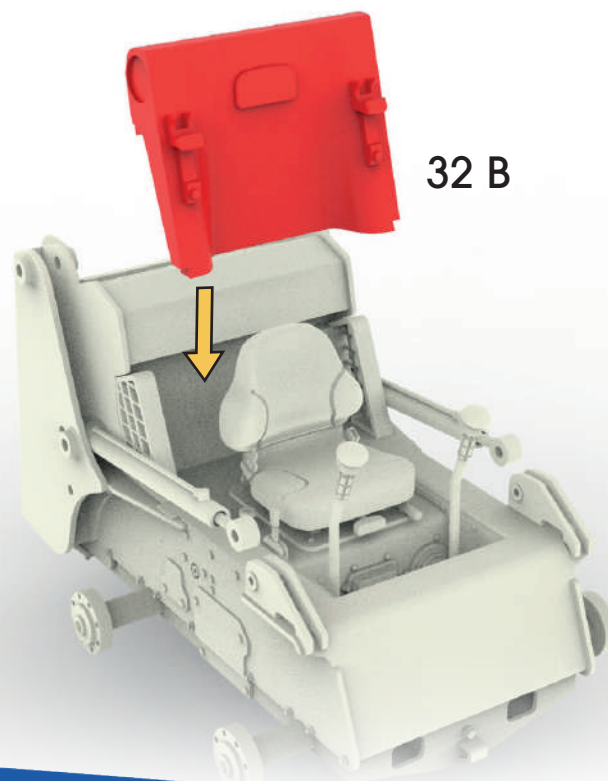
Step 16



Step 17



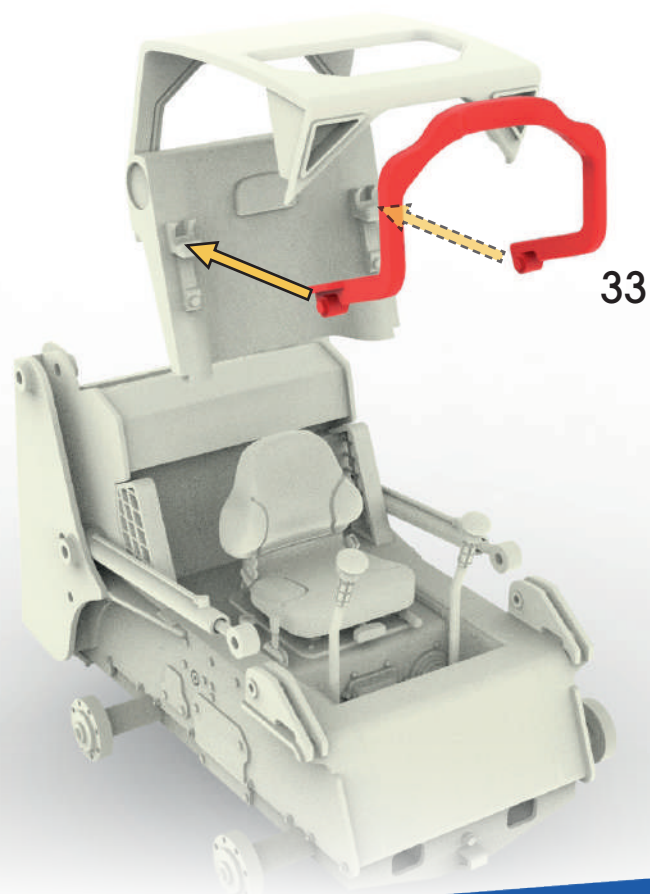
Step 18



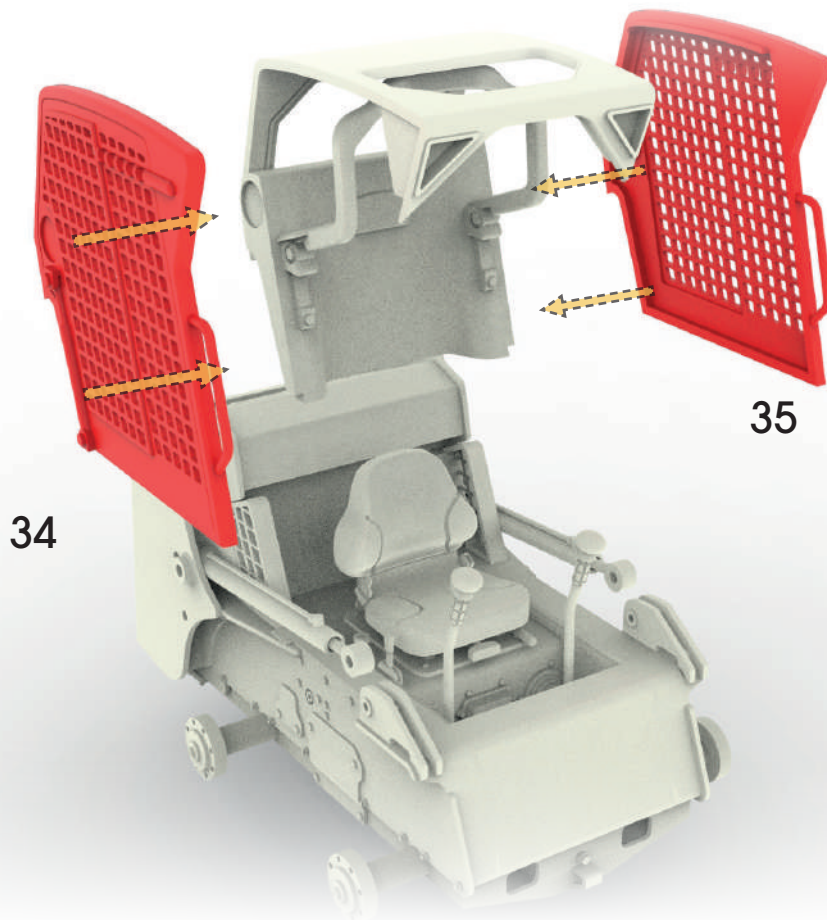
Step 19



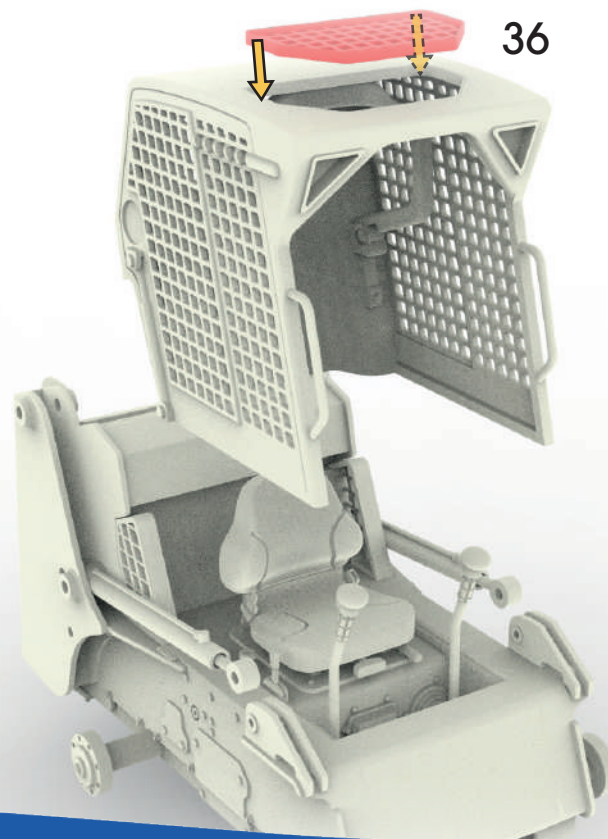
Step 20



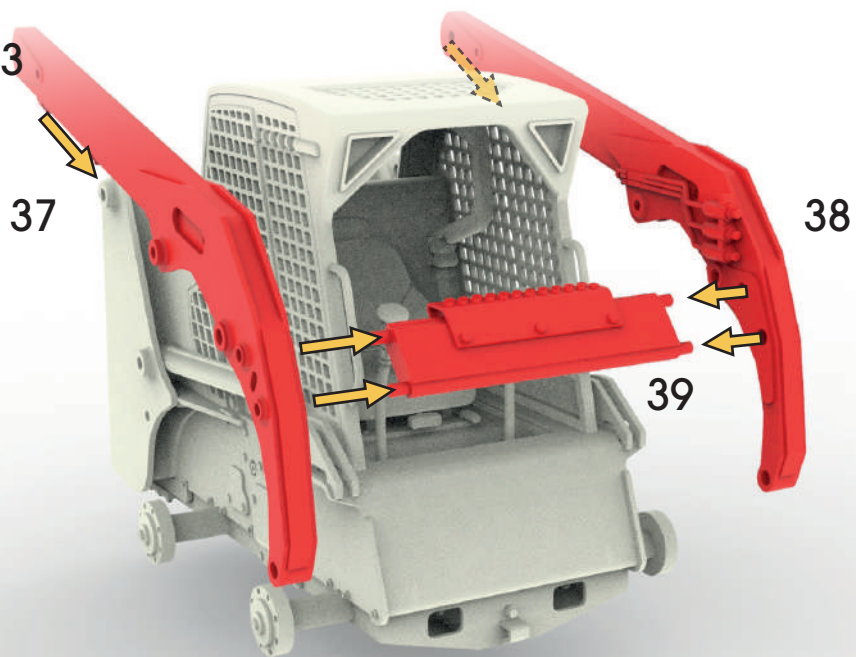
Step 21



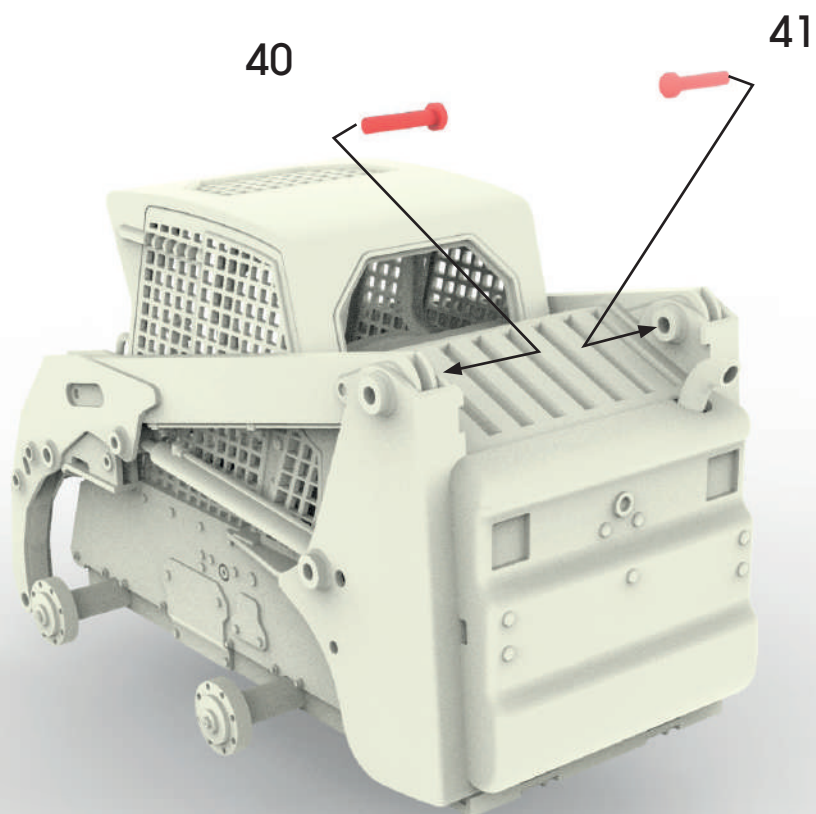
Step 22



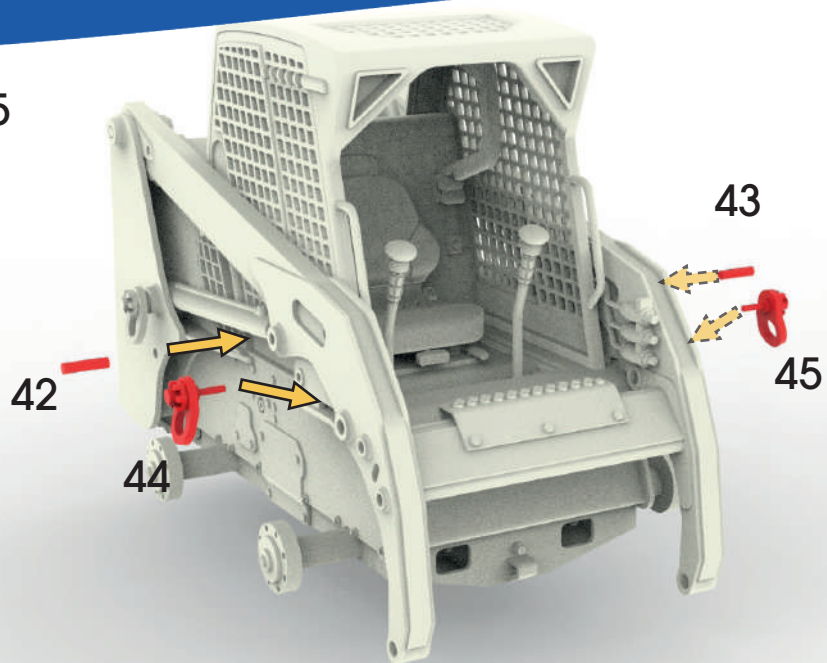
Step 23



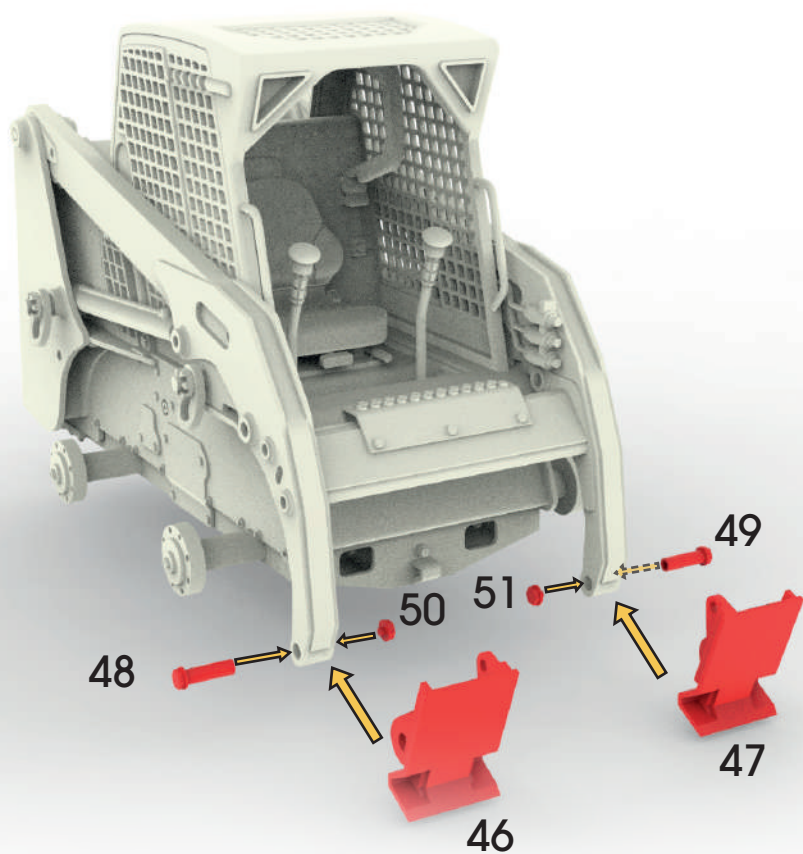
Step 24



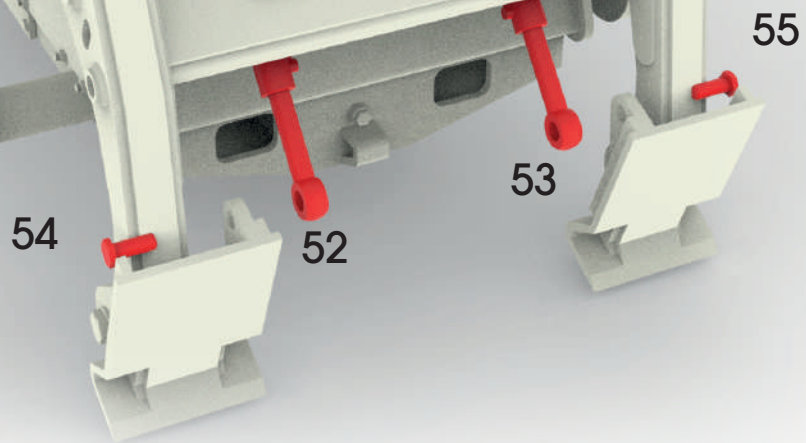
Step 25



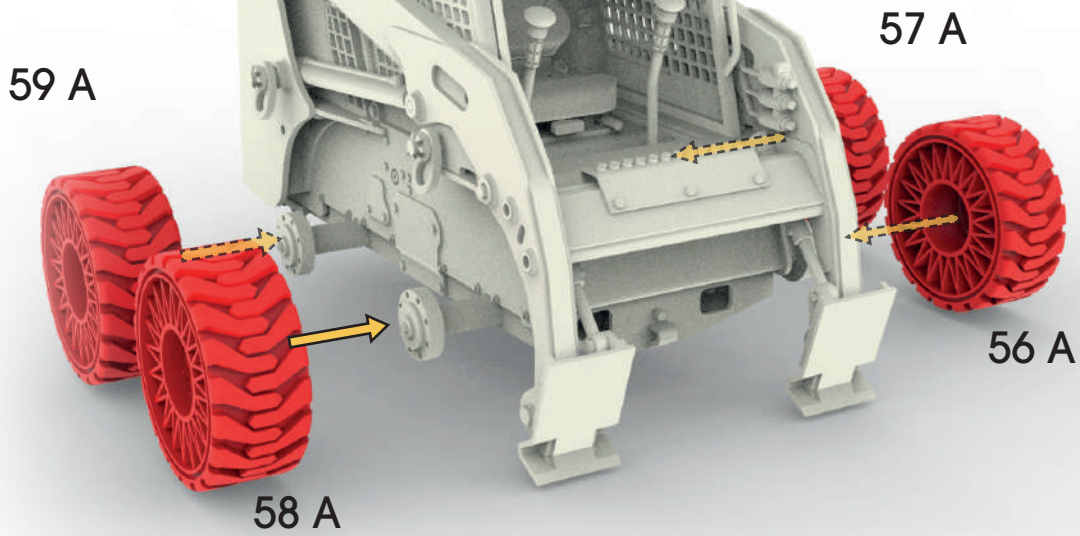
Step 26



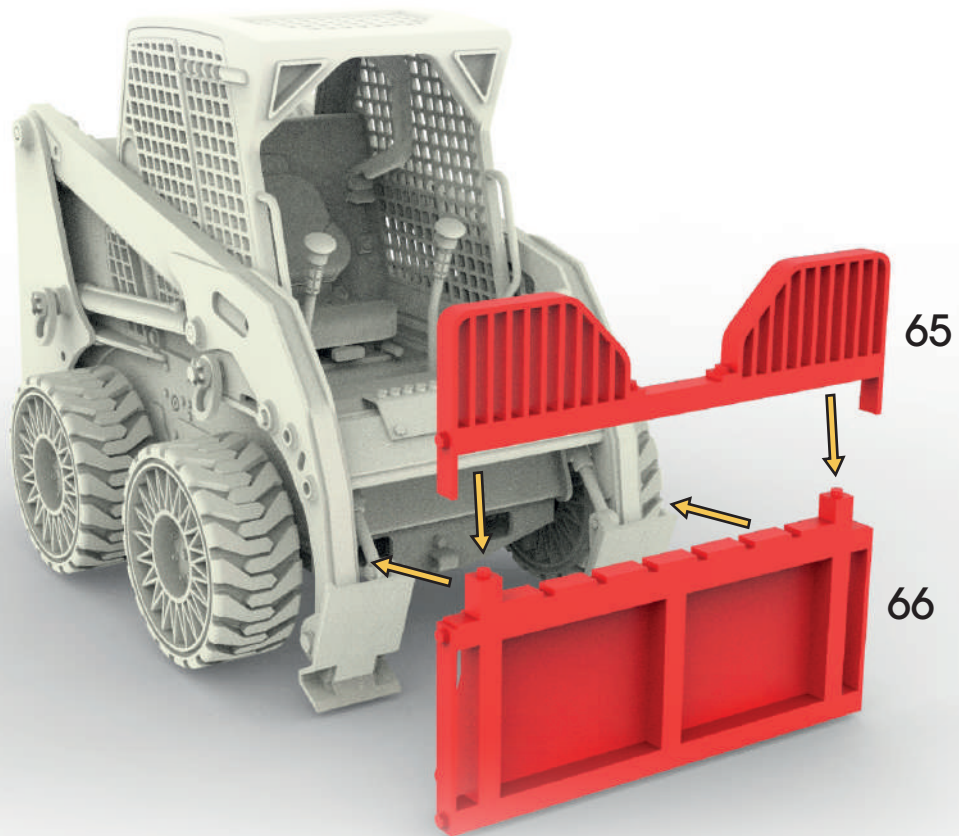
Step 27



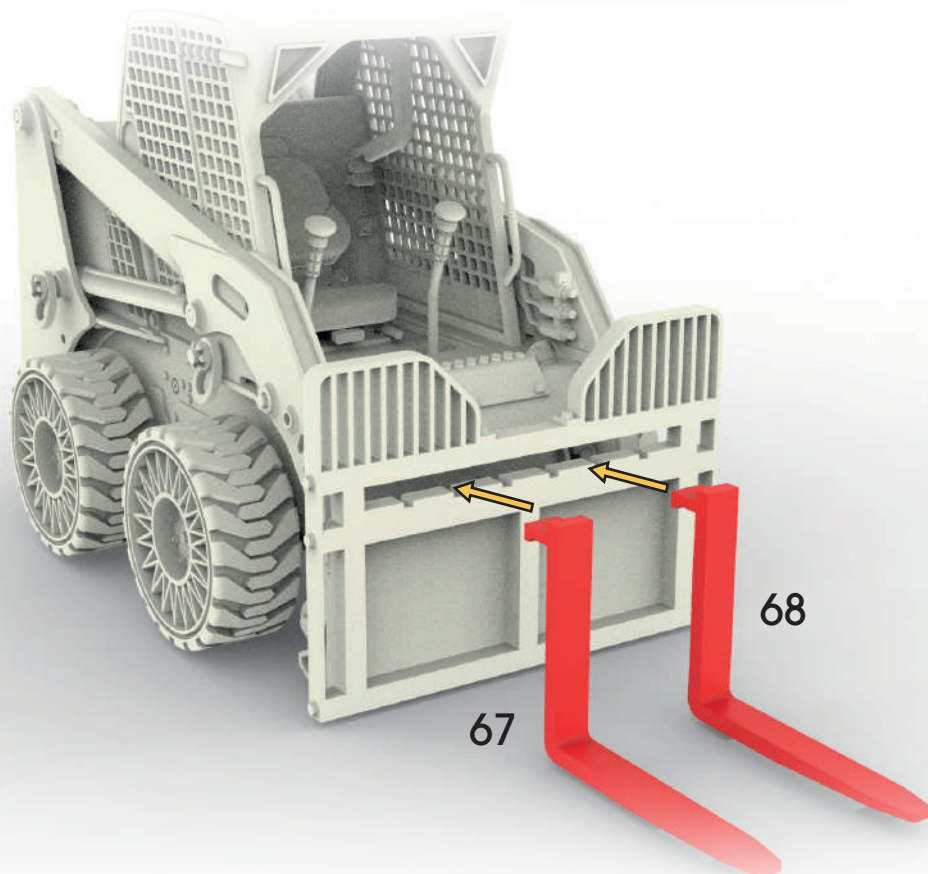
Step 28



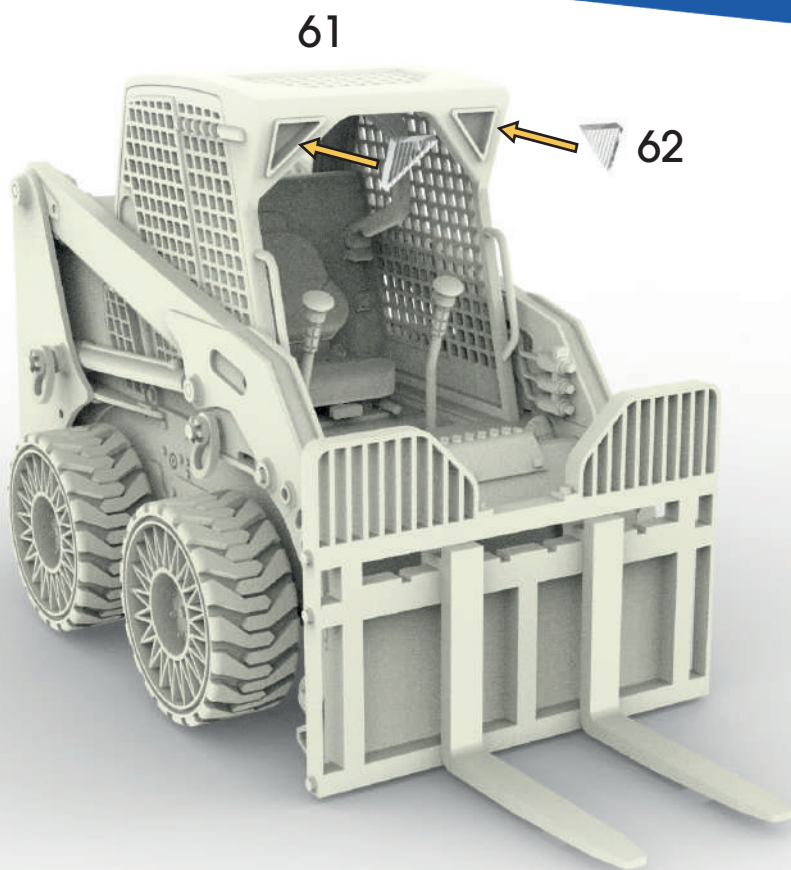
Step 29



Step 30



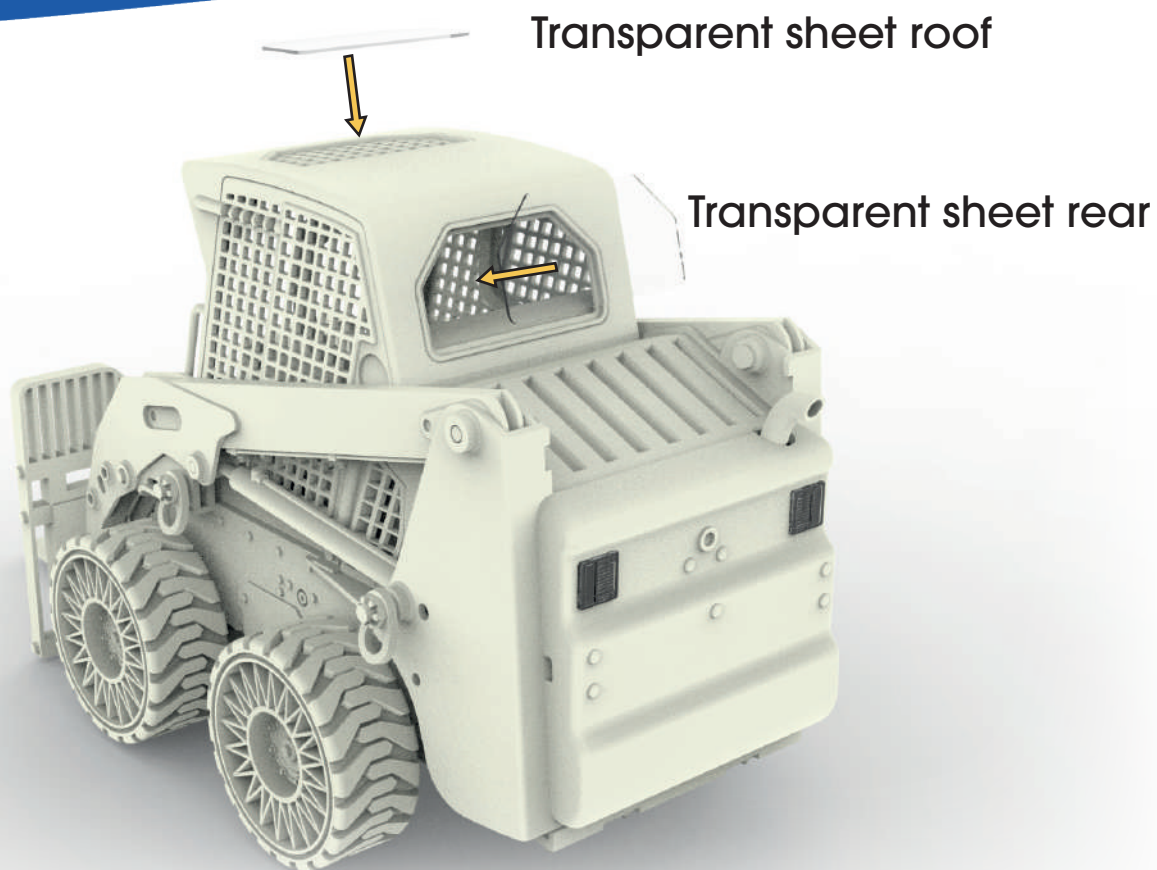
Step 31



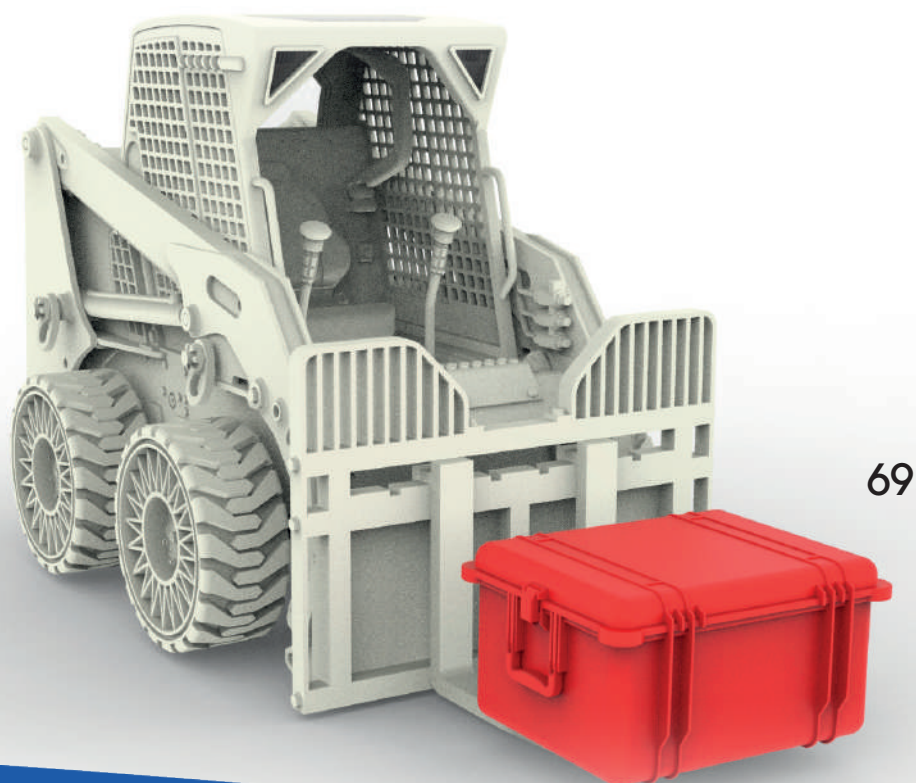
Step 32



Step 33



Step 34



Decal position

